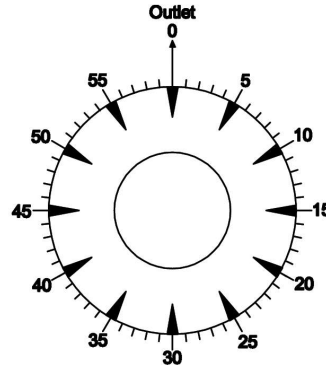


Pedestrian duty manhole cover
(Supplied Loose)

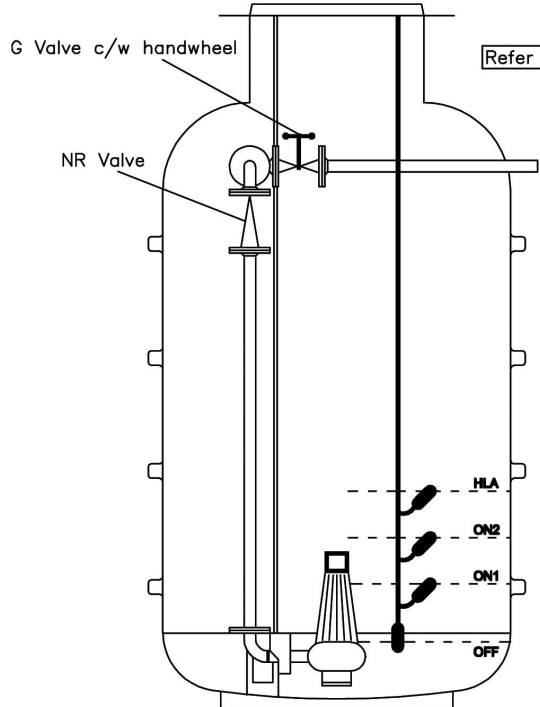


Plan View

Inlet Positions

Use the clockface to give inlet positions relative to the outlet position.

Take the outlet position as 12 O'clock and specify position of inlets by means of minutes past the hour



Refer to Installation Guide

ITEM	SIZE Ømm	DEPTH Invert mm	POSITION Minutes Past	NOTES
Inlet 1				
Inlet 2				
Inlet 3				
Inlet 4				
Cable Entry				
Outlet				

Sump Diameter	
Sump Depth	
Horizontal Distance	
Static Head	
Storage Volume	

Quote Ref./Contract No. _____



Croom, Enmore Road, Enmore, Bridgwater, Somerset. TA5 2AN
Tel: 01278 671927 Fax: 01278 671963 E-mail: info@synergy-wtp.co.uk
Web: www.synergy-wtp.co.uk

Drawing Title:

Duplex Pump station
Auto couplings and guide rails

Revision Details:

Drawing No.

SD0927

Date:

Sept 2009

All dimensions are in mm

Scale: NTS

Drawn by: