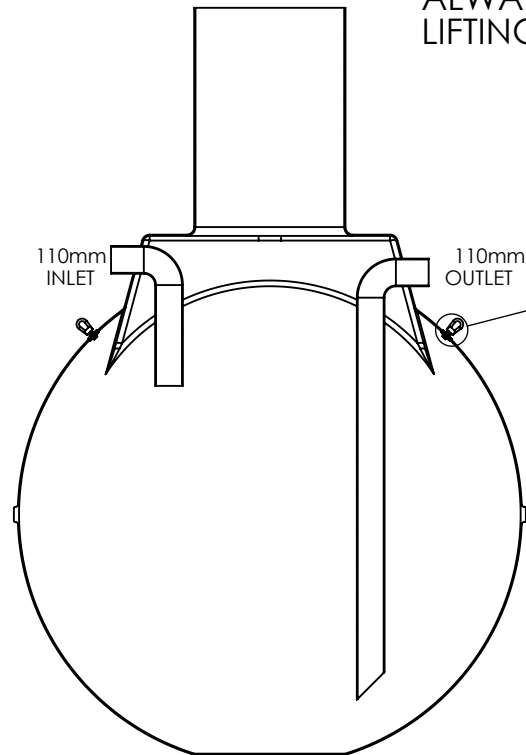
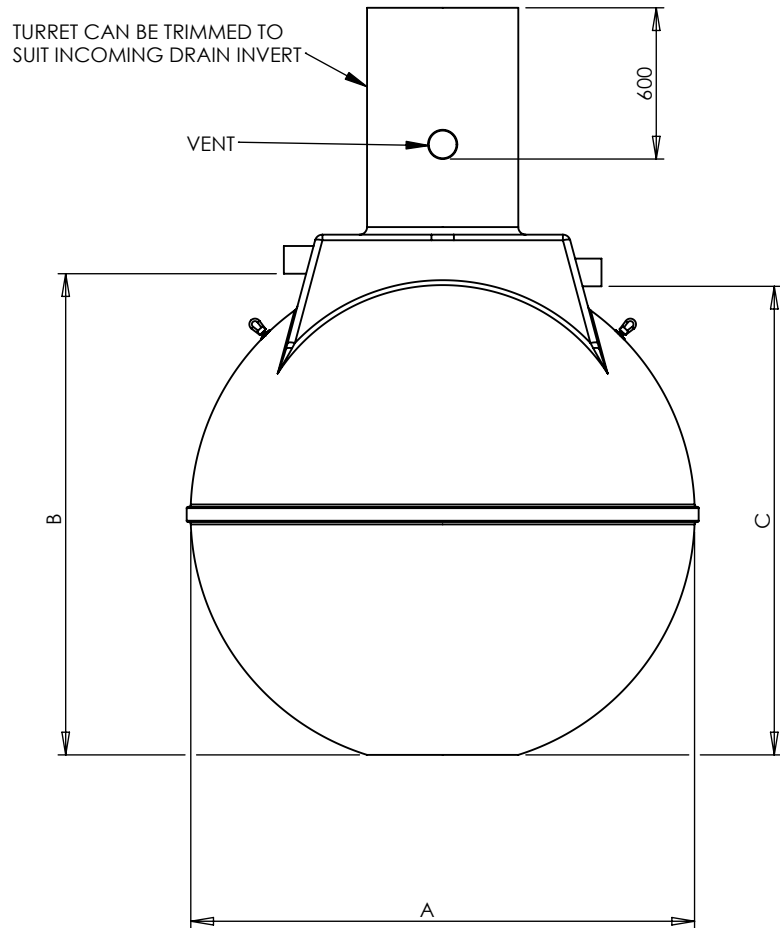
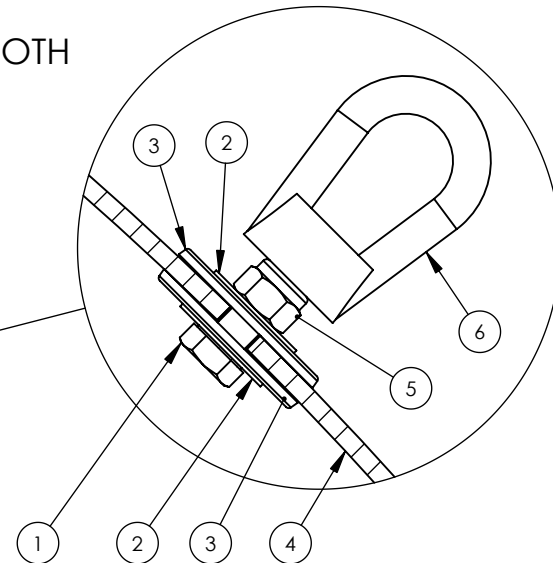


LIFTING EYE ASSEMBLE DETAIL

**IMPORTANT
ALWAYS USE BOTH
LIFTING EYES**



SECTION VIEW



1	M10 STAINLESS STEEL BOLT
2	M10 STAINLESS STEEL PENNY WASHER
3	M10 x 50 NYLON STRUCTURAL WASHER
4	TANK SHELL
5	M10 STAINLESS STEEL NYLOC NUT
6	CE MARKED M10 LIFTING EYE RATED @360kg

TANK CAPACITY	DIM A	DIM B	DIM C
2800L	1750	1780	1730
3800L	1940	1875	1825
4600L	2050	1930	1880
6000	2250	2030	1980



Croom, Enmore Road, Enmore, Bridgwater, Somerset, TA5 2AN
Tel: 01278 671927 Fax: 01278 671963 E-mail: info@synergy-wtp.co.uk
Web: www.synergy-wtp.co.uk

Drawing Title:
Spherical Grease Trap
(Synergy Robusta Tank)

All dimensions in mm SCALE:1:30

REV.	DESCRIPTION
A	LIFTING EYE DETAIL ADDED

Drawing No: Sheet 1 of 1

SD0923/SPHERICAL

Date: 22/01/2010

Drawn by: P Martin