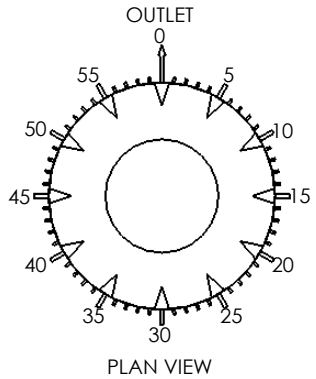
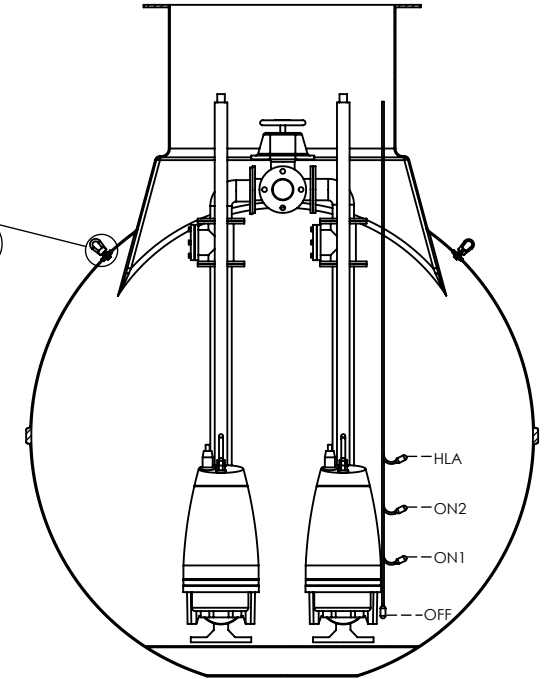
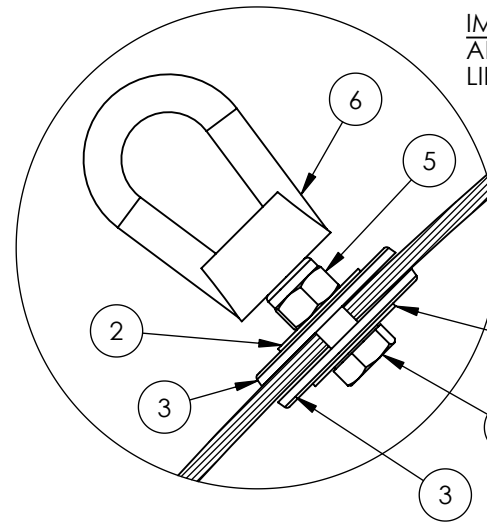
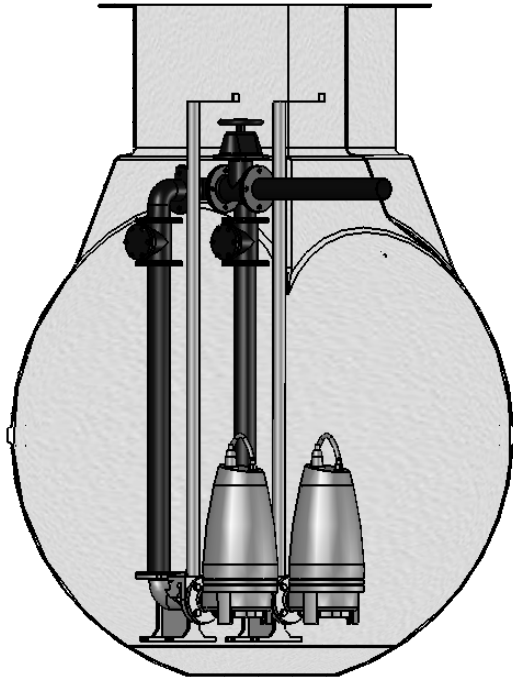


MANHOLE COVER & FRAME SUPPLIED LOOSE
(RATED TO APPLICATION)

IMPORTANT
ALWAYS USE BOTH
LIFTING EYES



Inlet Positions
Use the clockface to give inlet positions relative to the outlet position
Take the outlet position as 12 o'clock and specify position of inlets by means of minutes of past the hour.



1	M10 STAINLESS STEEL BOLT
2	M10 STAINLESS STEEL PENNY WASHER
3	M10 x 50 NYLON STRUCTURAL WASHER
4	TANK SHELL
5	M10 STAINLESS STEEL NYLOC NUT
6	CE MARKED M10 LIFTING EYE RATED @360kg

ITEM	SIZE ϕ mm	DEPTH Invert mm	POSITION Minutes Past	NOTES
Inlet 1				
Inlet 2				
Inlet 3				
Inlet 4				
Cable Entry				
Outlet				

Sump Diameter	
Sump Depth	
Horizontal Distance	
Static Head	
Storage Volume	

Quote Ref. / Contract No.



Croom, Enmore Road, Enmore, Bridgwater, Somerset, TA5 2AN
Tel: 01278 671927 Fax: 01278 671963 E-mail: info@synergy-wtp.co.uk
Web: www.synergy-wtp.co.uk

Drawing Title:
Synergy Robusta Range
Duplex Pump Station
2,800 - 6,000 litres

All dimensions in mm SCALE: 1:30

REV.	DESCRIPTION

Drawing No:	Sheet 1 of 1
SD0927/ROBUSTA	
Date:	22/01/2010
Drawn by:	P Martin